

Архангельск (8182)63-90-72
Астана (7172)727-132
Астрахань (8512)99-46-04
Барнаул (3852)73-04-60
Белгород (4722)40-23-64
Брянск (4832)59-03-52
Владивосток (423)249-28-31
Волгоград (844)278-03-48
Вологда (8172)26-41-59
Воронеж (473)204-51-73
Екатеринбург (343)384-55-89
Иваново (4932)77-34-06

Ижевск (3412)26-03-58
Иркутск (395)279-98-46
Казань (843)206-01-48
Калининград (4012)72-03-81
Калуга (4842)92-23-67
Кемерово (3842)65-04-62
Киров (8332)68-02-04
Краснодар (861)203-40-90
Красноярск (391)204-63-61
Курск (4712)77-13-04
Липецк (4742)52-20-81
Киргизия (996)312-96-26-47

Магнитогорск (3519)55-03-13
Москва (495)268-04-70
Мурманск (8152)59-64-93
Набережные Челны (8552)20-53-41
Нижний Новгород (831)429-08-12
Новокузнецк (3843)20-46-81
Новосибирск (383)227-86-73
Омск (3812)21-46-40
Орел (4862)44-53-42
Оренбург (3532)37-68-04
Пенза (8412)22-31-16
Казахстан (772)734-952-31

Пермь (342)205-81-47
Ростов-на-Дону (863)308-18-15
Рязань (4912)46-61-64
Самара (846)206-03-16
Санкт-Петербург (812)309-46-40
Саратов (845)249-38-78
Севастополь (8692)22-31-93
Симферополь (3652)67-13-56
Смоленск (4812)29-41-54
Сочи (862)225-72-31
Ставрополь (8652)20-65-13
Таджикистан (992)427-82-92-69

Сургут (3462)77-98-35
Тверь (4822)63-31-35
Томск (3822)98-41-53
Тула (4872)74-02-29
Тюмень (3452)66-21-18
Ульяновск (8422)24-23-59
Уфа (347)229-48-12
Хабаровск (4212)92-98-04
Челябинск (351)202-03-61
Череповец (8202)49-02-64
Ярославль (4852)69-52-93

<https://sedelon.nt-rt.ru/> || sde@nt-rt.ru

Bronze Valve



Bronze Valve

Compared with other material, Bronze valves are good choices for industries which require the following characteristics: Desalination and Highly corrosive environments. Sedelon manufactures different types of Bronze valves which are suitable for Chemical and Oil Industries, Sea Water Service, Desalination Plants, Off-Shore and Platforms.

Compared with other material, Bronze valves are good choices for industries which require the following characteristics: Desalination and Highly corrosive environments. Sedelon manufactures different types of Bronze valves which are suitable for Chemical and Oil Industries, Sea Water Service, Desalination Plants, Off-Shore and Platforms.

Sedelon® mainly produces Bronze valves according to the standard of API 600. We call them API 600 Bronze valves. According to different design standards, Sedelon® provides you DIN Bronze valves as well, for example, DIN Bronze Globe valves.

The characteristics of the Sedelon Bronze valves are of corrosion resistance, oxidation resistance, electric resistance and clean sanitation. These features make Bronze valves special and incomparable to other metal material valves.

According to the usage, Bronze valves can be divided into the following types:

1. Bronze Gate valves

Commonly used Bronze Gate valves which can be fully opened and closed, provide a great on-off service.

2. Bronze Ball valves

Bronze Ball valves are excellent choices for opening and shut-off, especially meet the requirements for subsea applications.

3. Bronze Globe valves

Their main function is to let the liquid flow, stop and throttle.

4. Bronze Check valves also referred to as Bronze non return valves.

The disc will be opened and closed by the flow automatically, which prevents the fluid of flowing back, for example, Bronze Wafer Check valves. Sedelon provides API 6D Bronze Wafer check valves which have a short pattern wafer body according to the API 6D and ANSI B16.10 face to face dimensions..

5. Bronze Butterfly valves

A Bronze Butterfly valve is a valve which can be used for isolating or regulating flow.

When we choose the Bronze valves, the way of installation should also be taken into consideration. There are Flanged Bronze valves, Jacket Bronze valves and Welded Bronze valves. The installation structure must be consistent with the piping installation structure. And we should choose the fit size.

The operation of Bronze valves is simple, generally are hand wheel operated. We call them hand wheel Bronze valves. When the valves need large amount of starting force, we can choose gear operated Bronze valves which can save effort. Generally speaking, big size Bronze valves are gear operated, for example big size Bronze Gate valves, big size Bronze Globe valves, big size Bronze Check valves. Some Bronze valves are equipped with a pneumatic actuator (Pneumatic Actuator Bronze Ball valves) or motor operated (Electric Motor Bronze Ball valves).

Nowadays, people pay much attention to environmental protection. We Sedelon also take it into consideration. Low Emission Bronze valves and Low Leakage Bronze valves can effectively prevent the medium leakage and emission, thus being good for the environment. Equipped with Fugitive Emission Test Certificate ISO 15848-1:2006, Sedelon manufactures Fugitive Emission Bronze valves in order to make a contribution to protecting the environment.

Application

Face to Face Dimensions:ANSI B16.10

Flange end Dimension :ANSI B16.5

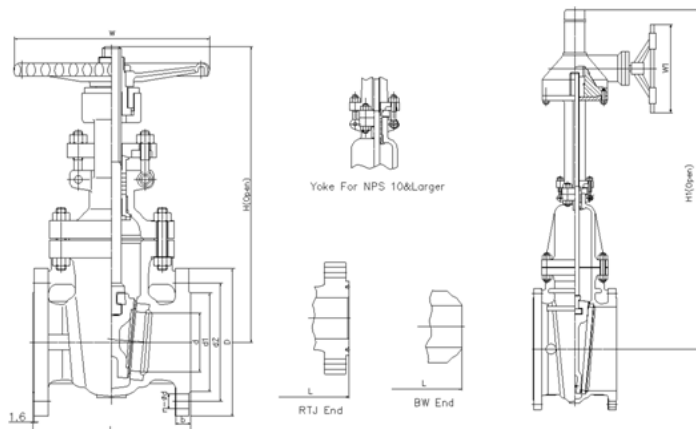
Butt Welded Dimensions : ANSI B16.25

Design and Manufacture : API 600

Pressure Test : API 598

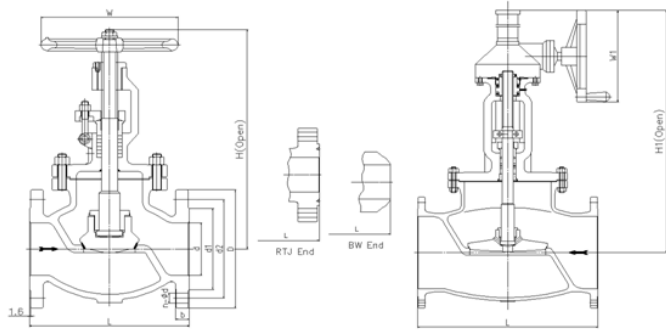
Main material : C95800、C95500、C95200、C95300、C95600、C61900、C63200,ect.

Class150Bronze Gate Valve



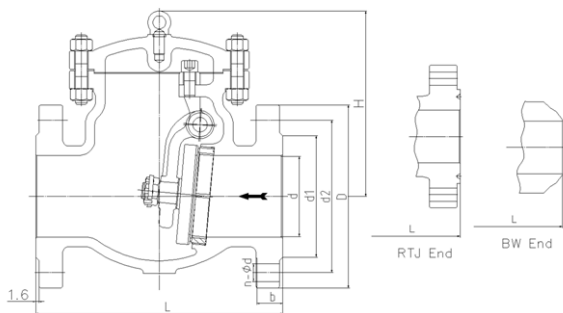
NPS	in	2	2 1/2	3	4	5	6	8	10	12	14	16	18	20	24
d	mm	51	64	76	102	127	152	203	254	305	337	387	438	489	591
L(RF)	mm	178	190	203	229	254	267	292	330	356	381	406	432	457	508
L(BW)	mm	216	241	283	305	381	403	419	457	502	572	610	660	711	813
L(RTJ)	mm	191	203	216	241	267	279	305	343	368	394	419	445	470	521
d1	mm	92	105	127	157	186	216	270	324	381	413	470	533	584	692
d2	mm	120.5	139.5	152.5	190.5	216	241.5	298.5	362	432	476	540	578	635	749.5
D	mm	152	178	190	229	254	279	343	406	483	533	597	635	699	813
b	mm	16	18	19	24	24	26	29	31	32	35	37	40	43	48
n-Φd	mm	4-19	4-19	4-19	8-19	8-22	8-22	8-22	12-25	12-25	12-29	16-29	16-32	20-32	20-35
H	mm	400	435	515	595	725	780	975	1150	1380	1545	1733	1915	2122	2520
H1	mm						820	1020	1200	1430	1580	1780	1990	2220	2600
W	mm	200	200	250	280	280	300	350	400	450	500	500	500	600	600
W1	mm						310	310	310	310	310	460	460	460	460

Class150 Bronze GLOBE Valve



NPS	in	2	2 1/2	3	4	5	6	8	10	12
d	mm	51	64	76	102	127	152	203	254	305
L(RF)	mm	203	216	241	292	356	406	495	622	698
L(BW)	mm	203	216	241	292	356	406	495	622	698
L(RTJ)	mm	216	229	254	305	369	419	508	635	711
d1	mm	92	105	127	157	186	216	270	324	381
d2	mm	120.5	139.5	152.5	190.5	216	241.5	298.5	362	432
D	mm	152	178	190	229	254	279	343	406	483
b	mm	16	18	19	24	24	26	29	31	32
n-Φd	mm	4-19	4-19	4-19	8-19	8-22	8-22	8-22	12-25	12-25
H	mm	330	360	390	445	480	520	600	773	880
H1	mm						556	658	805	955
W	mm	200	200	250	300	350	350	500	500	550
W1	mm						310	310	460	460

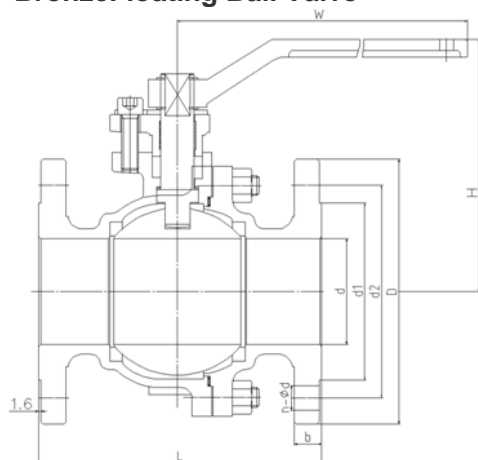
Class150 Bronze Check Valve



NPS	in	2	2 1/2	3	4	5	6	8	10	12	14	16	18	20	24
d	mm	51	64	76	102	127	152	203	254	305	337	387	438	489	591
L(RF)	mm	203	216	241	292	330	356	495	622	699	787	864	978	978	1295
L(BW)	mm	203	216	241	292	330	356	495	622	699	787	864	978	978	1295
L(RTJ)	mm	216	229	254	305	343	368	508	635	711	800	876	991	991	1308
d1	mm	92	105	127	157	186	216	270	324	381	413	470	533	584	692
d2	mm	120.5	139.5	152.5	190.5	216	241.5	298.5	362	432	476	540	578	635	749.5

D	mm	152	178	190	229	254	279	343	406	483	533	597	635	699	813
b	mm	16	18	19	24	24	26	29	31	32	35	37	40	43	48
n-Φd	mm	4-19	4-19	4-19	8-19	8-22	8-22	8-22	12-25	12-25	12-29	16-29	16-32	20-32	20-35
H	mm	132	147	176	198	255	320	380	440	480	530	580	618	657	760

Class150 Bronze Floating Ball Valve



NPS	in	2	2 1/2	3	4	5	6	8	10
d	mm	51	64	76	102	127	152	203	254
L(RF)	mm	178	190	203	229	356	394	457	533
d1	mm	92	105	127	157	186	216	270	324
d2	mm	120.5	139.5	152.5	190.5	216	241.5	298.5	362
D	mm	152	178	190	229	254	279	343	406
b	mm	16	18	19	24	24	26	29	31
n-Φd	mm	4-19	4-19	4-19	8-19	8-22	8-22	8-22	12-25
H	mm	110	130	150	180	220	270	340	350
W	mm	200	290	290	360	600	800	1000	1200

Архангельск (8182)63-90-72
 Астана (7172)727-132
 Астрахань (8512)99-46-04
 Барнаул (3852)73-04-60
 Белгород (4722)40-23-64
 Брянск (4832)59-03-52
 Владивосток (423)249-28-31
 Волгоград (844)278-03-48
 Вологда (8172)26-41-59
 Воронеж (473)204-51-73
 Екатеринбург (343)384-55-89
 Иваново (4932)77-34-06

Ижевск (3412)26-03-58
 Иркутск (395)279-98-46
 Казань (843)206-01-48
 Калининград (4012)72-03-81
 Калуга (4842)92-23-67
 Кемерово (3842)65-04-62
 Киров (8332)68-02-04
 Краснодар (861)203-40-90
 Красноярск (391)204-63-61
 Курск (4712)77-13-04
 Липецк (4742)52-20-81
 Киргизия (996)312-96-26-47

Магнитогорск (3519)55-03-13
 Москва (495)268-04-70
 Мурманск (8152)59-64-93
 Набережные Челны (8552)20-53-41
 Нижний Новгород (831)429-08-12
 Новокузнецк (3843)20-46-81
 Новосибирск (383)227-86-73
 Омск (3812)21-46-40
 Орел (4862)44-53-42
 Оренбург (3532)37-68-04
 Пенза (8412)22-31-16
 Казахстан (772)734-952-31

Пермь (342)205-81-47
 Ростов-на-Дону (863)308-18-15
 Рязань (4912)46-61-64
 Самара (846)206-03-16
 Санкт-Петербург (812)309-46-40
 Саратов (845)249-38-78
 Севастополь (8692)22-31-93
 Симферополь (3652)67-13-56
 Смоленск (4812)29-41-54
 Сочи (862)225-72-31
 Ставрополь (8652)20-65-13
 Таджикистан (992)427-82-92-69

Сургут (3462)77-98-35
 Тверь (4822)63-31-35
 Томск (3822)98-41-53
 Тула (4872)74-02-29
 Тюмень (3452)66-21-18
 Ульяновск (8422)24-23-59
 Уфа (347)229-48-12
 Хабаровск (4212)92-98-04
 Челябинск (351)202-03-61
 Череповец (8202)49-02-64
 Ярославль (4852)69-52-93

<https://sedelon.nt-rt.ru/> || sde@nt-rt.ru